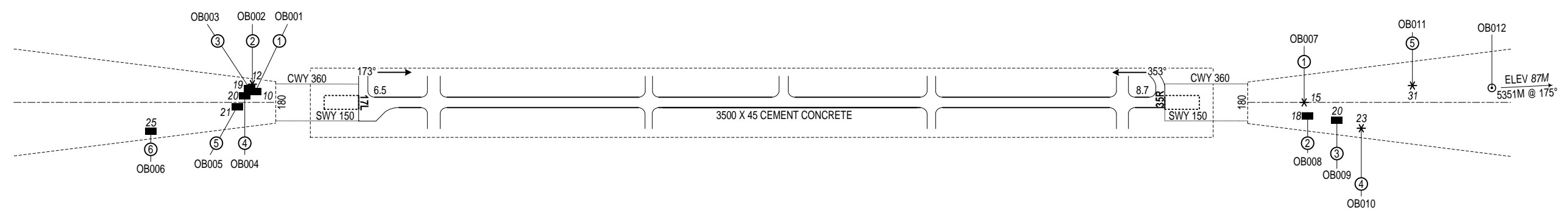
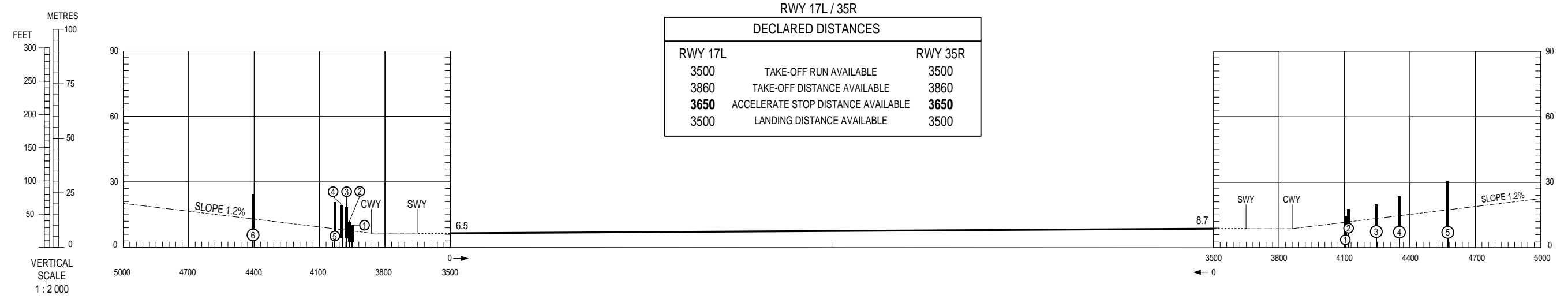


DIMENSIONS AND ELEVATIONS IN METRES

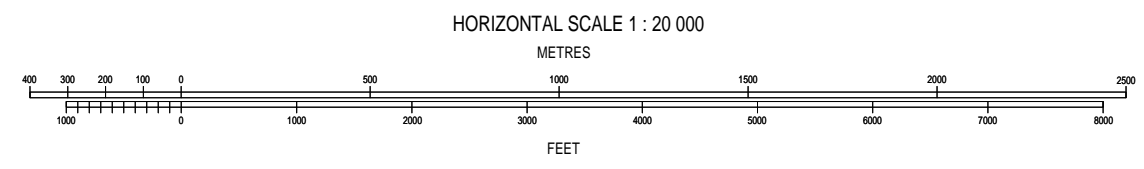
**AERODROME OBSTACLE CHART - ICAO**  
TYPE A (OPERATING LIMITATIONS)

**DA NANG/DA NANG INTL (VVDN)**  
RWY 17L / 35R

MAGNETIC VARIATION 0°40' W



LEGEND	
IDENTIFICATION NUMBER	①
TREE	*
POLE, TOWER, SPIRE, ANTENNA, ETC.	○
BUILDING OR LARGE STRUCTURE	■
RAILROAD	—+—+—+—+—
TERRAIN CONTOUR	~
TERRAIN PENETRATING OBSTACLE PLANE	▬



AMENDMENT RECORD		
NO.	DATE	ENTERED BY

ORDER OF ACCURACY  
HORIZONTAL 00M.  
VERTICAL 00M.

CHANGES: OBSTACLES; ASDA; SWY AND RWY STRIP DIMENSIONS.