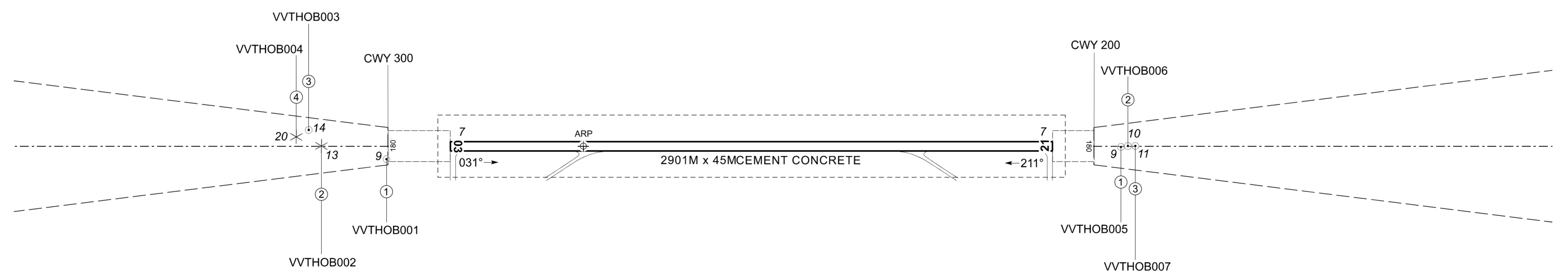


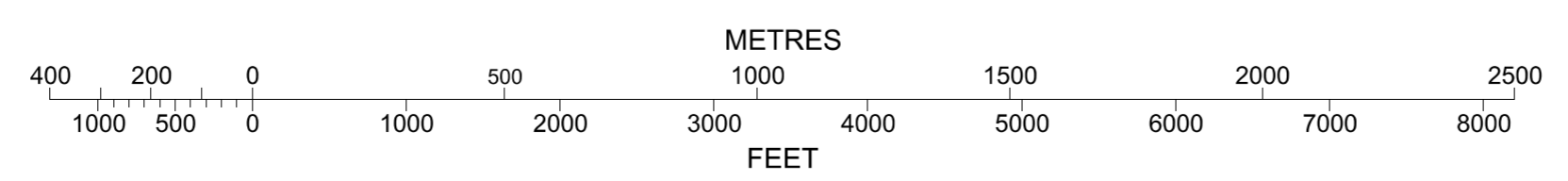
MAGNETIC VARIATION 1°W

RWY 03/21

DECLARED DISTANCES		
RWY 03		RWY 21
2901	TAKE-OFF RUN AVAILABLE (TORA)	2901
3101	TAKE-OFF DISTANCE AVAILABLE (TODA)	3201
2901	ACCELERATE STOP DISTANCE AVAILABLE (ASDA)	2901
2901	LANDING DISTANCE AVAILABLE (LDA)	2901



HORIZONTAL SCALE 1 : 15 000



LEGEND	
IDENTIFICATION NUMBER	①
POLE, TOWER, SPIRE, ANTENNA, ETC.	⊙
TREE	*

ORDER OF ACCURACY  
HORIZONTAL 00M.  
VERTICAL 00M.

AMENDMENT RECORD		
NO.	DAY	ENTERED BY

NEW CHART