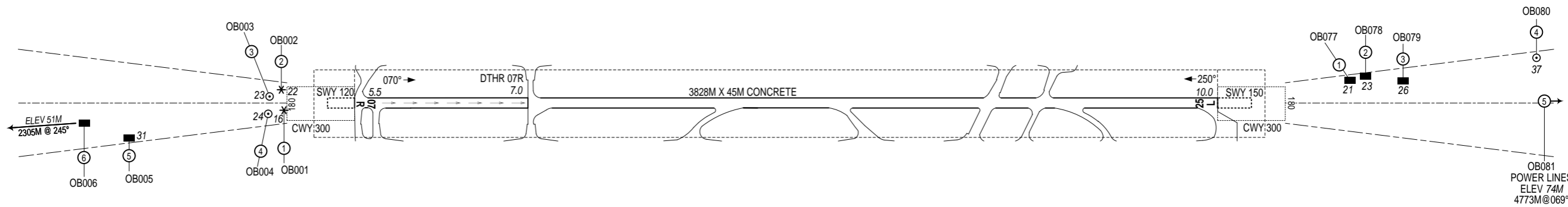
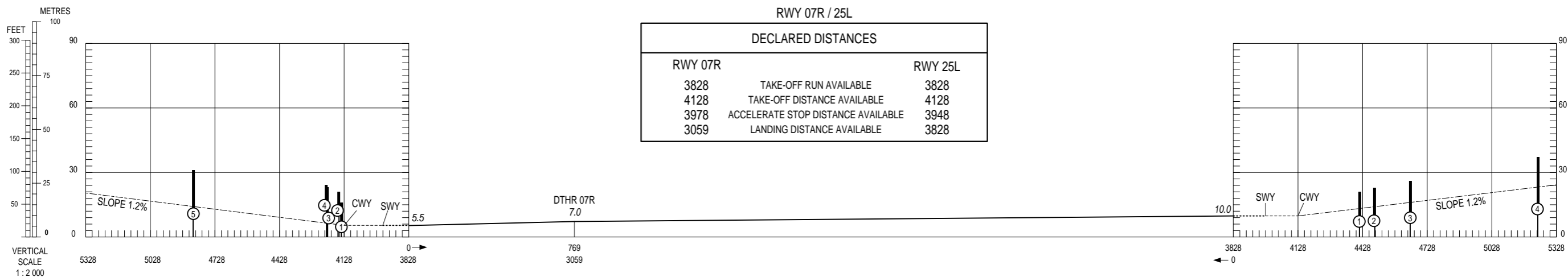
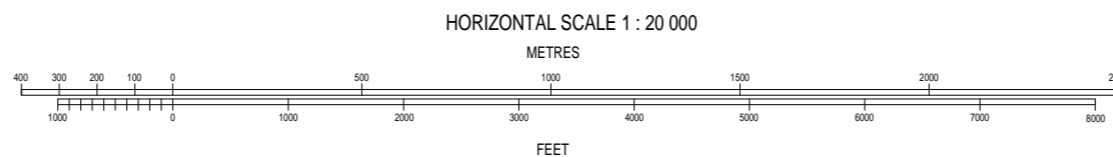


MAGNETIC VARIATION 1° W



LEGEND	
IDENTIFICATION NUMBER	①
POLE, TOWER, SPIRE, ANTENNA, ETC.	⊙
BUILDING OR LARGE STRUCTURE	■
TREE	*



ORDER OF ACCURACY  
HORIZONTAL 00M.  
VERTICAL 00M.

AMENDMENT RECORD		
NO.	DATE	ENTERED BY